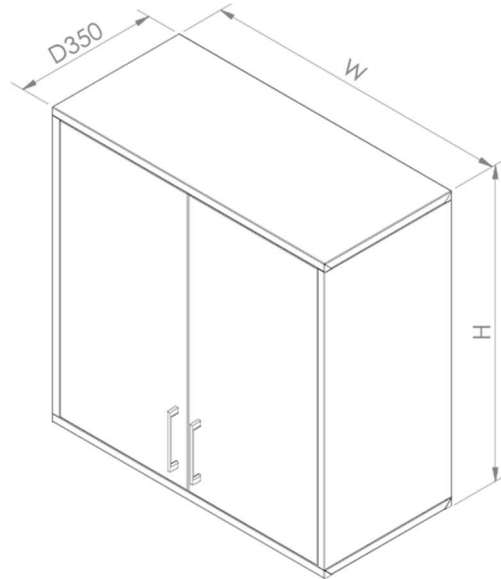


SWING DOOR WALL CABINET WCS

The Machlab design team has recreated the wall cabinet to meet international ISO standards of quality and durability. The cabinet features solid construction with reinforced shelves, doors and carcass. All fittings are made of stainless steel and aluminium alloy to withstand harsh working environments. Functional yet aesthetically pleasing – it exuberates a smart, clean and modern look.



FEATURES

- Durable **lab-grade construction**
- **100 microns** powder coating finish
- **Corrosion resistance** certified
- Extra adjustable shelves available
- Optional **PP spill tray** available
- Optional lockset available
- Best industry **warranty (3 years)**

SPECIFICATIONS

- **Certified quality** (ISO2178, ISO2813, ISO2409, ASTM 117, ASTM D3363)
- Manufactured of **heavy-duty steel** (22-gauge, electro-galvanised)
- Concealed **stainless steel soft-closing door hinge**
- U-channel **reinforced adjustable shelves**
- Stainless steel/Aluminium alloy fittings (**Antirust**)

FINISH OPTIONS

Powder coated steel components or stainless steel finish.
Custom colour matching available upon request.



MODELS

	W	D	H
WCS-753560	750	350	600
WCS-903560	900	350	600
WCS-103560	1000	350	600
WCS-753575	750	350	750
WCS-903575	900	350	750
WCS-103575	1000	350	750