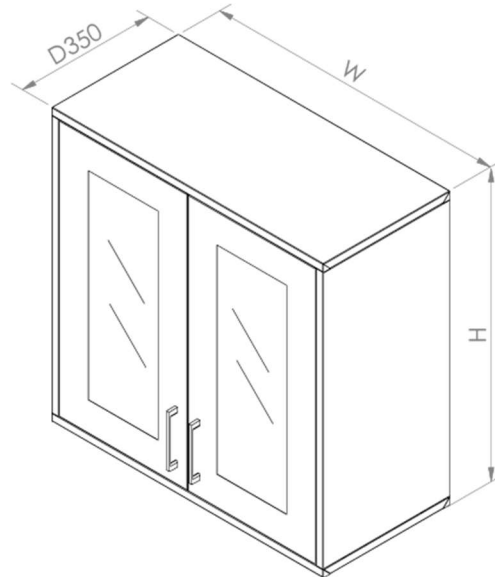


GLASS SWING DOOR WALL CABINET WCG

The Machlab design team has recreated the wall cabinet to meet international ISO standards of quality and durability. The cabinet features solid construction with reinforced shelves, doors and carcass. All fittings are made of stainless steel and aluminium alloy to withstand harsh working environments. Functional yet aesthetically pleasing – it exuberates a smart, clean and modern look.



FEATURES

- Durable **lab-grade construction**
- **100 microns** powder coating finish
- **Corrosion resistance** certified
- Extra adjustable shelves available
- Optional **PP spill tray** available
- Optional lockset available
- Best industry **warranty (3 years)**

SPECIFICATIONS

- **Certified quality** (ISO2178, ISO2813, ISO2409, ASTM 117, ASTM D3363)
- Manufactured of **heavy-duty steel** (22-gauge, electro-galvanised)
- Concealed **stainless steel soft-closing door hinge**
- U-channel **reinforced adjustable shelves**
- Stainless steel/Aluminium alloy fittings (**Antirust**)
- Framed, 5.0mm **tempered safety glass**

FINISH OPTIONS

Powder coated steel components or stainless steel finish.
Custom colour matching available upon request.



MODELS

| | W | D | H |
|-------------------|------|-----|-----|
| WCG-753560 | 750 | 350 | 600 |
| WCG-903560 | 900 | 350 | 600 |
| WCG-103560 | 1000 | 350 | 600 |
| WCG-753575 | 750 | 350 | 750 |
| WCG-903575 | 900 | 350 | 750 |
| WCG-103575 | 1000 | 350 | 750 |