

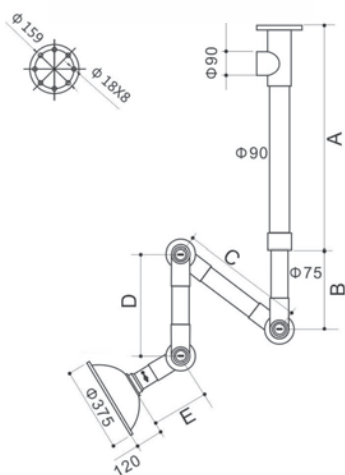


Extraction Arm

Product Brochure

Fume Extraction Arm

Extraction Arms are designed for direct-source capture of various airborne contaminants. Extraction Arms vent arm smoke, dust, mist and fume collection for welding, grinding, chemical vapors, powder mixing, solvent fumes, and laser cutting applications. It offers greater flexibility and ease of use while efficiently and cost-effectively directing contaminants away from the work area.

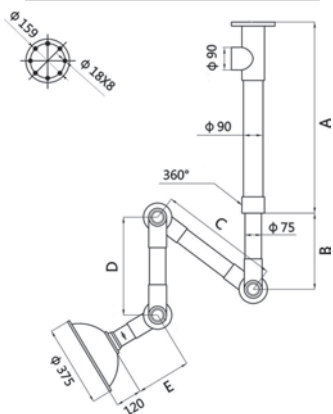


FUME EXHAUST

Model	KP8-2
Joint	High grade PP. 360° swiveled, easy to dismantle, assemble & clean
Sealing ring	Low-friction treated rubber
Center Bolt	304 Stainless steel
Adjustable joint knob	Fully brass with a SS bearing inside locked with center bolt
Damper	To manually adjust air flow with a knob
Dome/cup hood	PC, completely transparent
Tube	75mm PVC/PP
Swing device	360° swing device, take fixed rack as centre, max enabling movement radius to 1600mm
Installation bracket	Injection of plastics from a complete mold, mounting panel strongly connected to the joint

Dimension

	A	B	C	D	E
KP8-2	990	550	720	520	250
KP8-2D	860	350	550	450	250

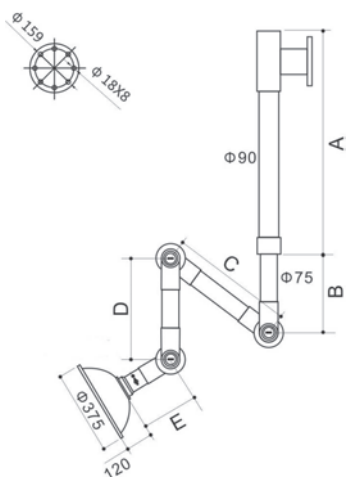


FUME EXHAUST (ALUMINIUM ALLOY)

Model	KP8-3
Joint	High grade PP. 360° swiveled, easy to dismantle, assemble & clean
Sealing ring	Low-friction treated rubber
Center Bolt	304 Stainless steel
Adjustable joint knob	Fully brass with a SS bearing inside locked with center bolt
Damper	To manually adjust air flow with a knob
Dome/cup hood	High grade PP/PC
Tube	75mm Aluminium alloy
Swing device	360° swing device, take fixed rack as centre, max enabling movement radius to 1600mm
Installation bracket	Injection of plastics from a complete mold, mounting panel strongly connected to the joint

Dimension

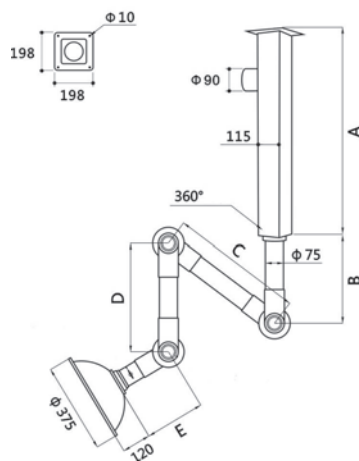
	A	B	C	D	E
KP8-3	990	550	720	520	250
KP8-3D	860	350	550	450	250



WALL-MOUNTED FUME EXHAUST

Model	KP8-4
Joint	High grade PP. 360° swiveled, easy to dismantle, assemble & clean
Sealing ring	Low-friction treated rubber
Center Bolt	304 Stainless steel
Adjustable joint knob	Fully brass with a SS bearing inside locked with center bolt
Damper	To manually adjust air flow with a knob
Dome/cup hood	High grade PP/PC
Tube	75mm PVC/PP
Swing device	360° swing device, take fixed rack as centre, max enabling movement radius to 1600mm
Installation bracket	Injection of plastics from a complete mold, mounting panel strongly connected to the joint

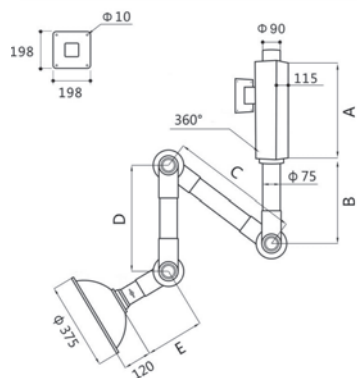
Dimension	A	B	C	D	E
KP8-4	990	550	720	520	250
KP8-4D	860	350	550	450	250



ALUMINIUM FUME EXHAUST (ALUMINIUM BRACKET)

Model	KP8-5
Joint	High grade PP. 360° swiveled, easy to dismantle, assemble & clean
Sealing ring	Low-friction treated rubber
Center Bolt	Aluminium
Adjustable joint knob	Fully brass with a SS bearing inside locked with center bolt
Damper	To manually adjust air flow with a knob
Dome/cup hood	High grade PP/PC
Tube	75mm PP
Swing device	360° swing device, take fixed rack as centre, max enabling movement radius to 1600mm
Installation bracket	Aluminium square pipe, fastness, corrosion resistance

Dimension	A	B	C	D	E
KP8-5	1000	550	720	520	250
KP8-5D	1000	350	550	450	250



ALUMINIUM FUME EXHAUST (ALUMINIUM BRACKET)

Model	KP8-6
Joint	High grade PP. 360° swiveled, easy to dismantle, assemble & clean
Sealing ring	Low-friction treated rubber
Center Bolt	Aluminium
Adjustable joint knob	Fully brass with a SS bearing inside locked with center bolt
Damper	To manually adjust air flow with a knob
Dome/cup hood	High grade PP/PC
Tube	75mm Aluminium alloy
Swing device	360° swing device, take fixed rack as centre, max enabling movement radius to 1600mm
Installation bracket	Made by Aluminium square pipe, fastness, corrosion resistance

Dimension

	A	B	C	D	E
KP8-6	300	550	720	520	250
KP8-6D	300	350	550	450	250

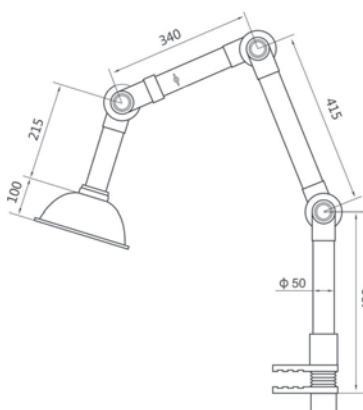


TABLE FUME EXHAUST

Model	KP50-1
Joint	High grade PP. 360° swiveled, easy to dismantle, assemble & clean
Sealing ring	Low-friction treated rubber
Center Bolt	304 stainless steel
Adjustable joint knob	Fully brass with a SS bearing inside locked with center bolt
Damper	To adjust air flow with a knob manually
Dome/cup hood	High grade PP/PC
Tube	50mm Aluminium alloy
Swing device	360° swing device, take fixed rack as centre, max enabling movement radius to 1000mm
Installation bracket	Injection of plastics from a complete mold, mounting panel strongly connected to the joint



Website:



Contact details:



Copyright © 2020 Machlab Scientific Sdn. Bhd. All Rights Reserved.
Machlab Scientific Sdn. Bhd. has made every reasonable effort to present the contents of this catalogue accurately, but reserves the right to make changes to the information, product specifications and product range in this catalogue without prior notice.