

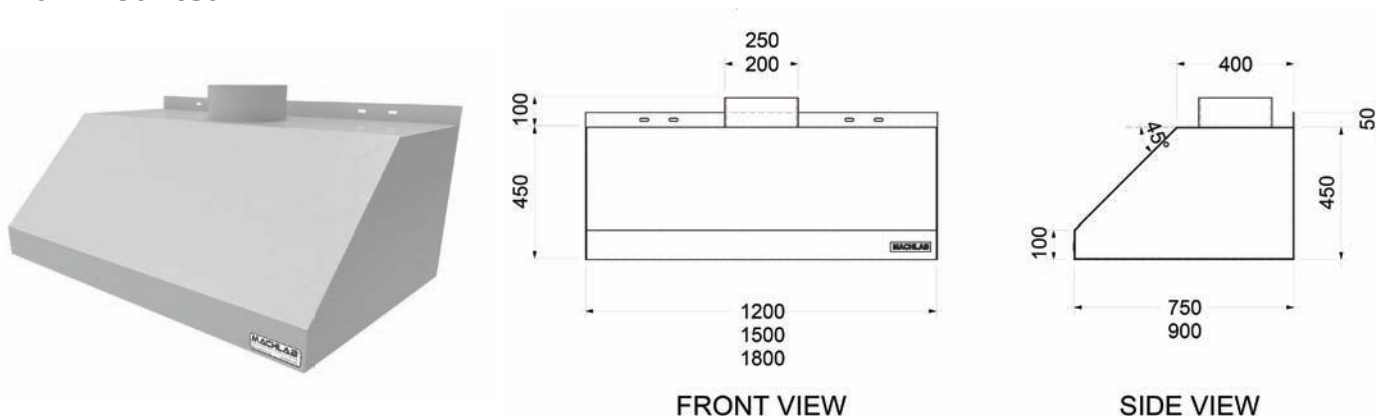
Canopy Hood

Product Brochure

Canopy Hood

Canopy Hoods are specifically designed for extraction of non-toxic materials such as heat, steam and odors from a particular area. They are usually installed above large apparatus that do not require a physical barrier such as ovens, steam baths and autoclaves. The hood may be installed on a wall or suspended from the ceiling.

Wall-mounted

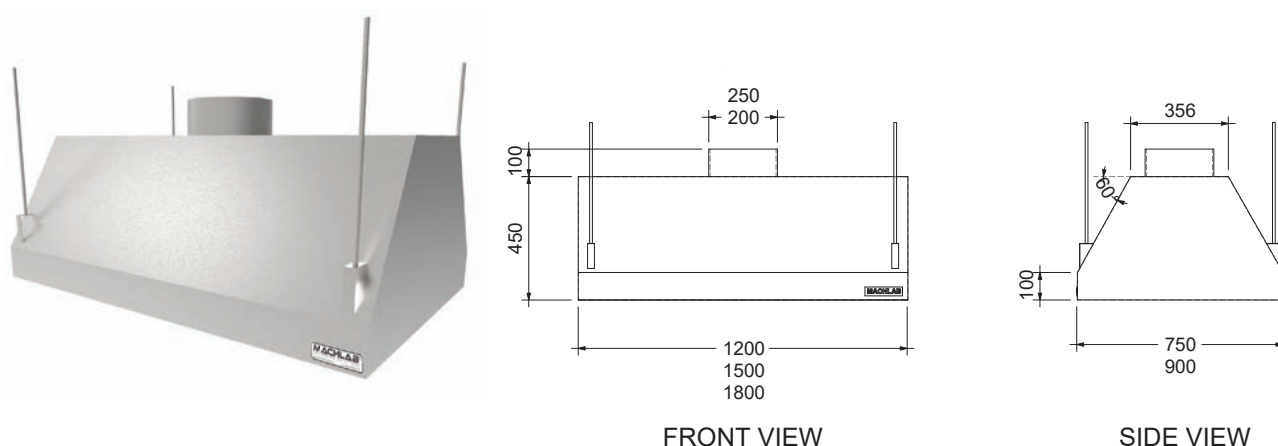


FRONT VIEW

SIDE VIEW

Length	Depth	Height	Stainless Steel 304	Electro-Galvanized Steel with Epoxy Powder Coating
1200	750	550	SSCH-4W-01	MSCH-4W-01
	900		SSCH-4W-02	MSCH-4W-02
1500	750	550	SSCH-5W-01	MSCH-5W-01
	900		SSCH-5W-02	MSCH-5W-02
1800	750	550	SSCH-6W-01	MSCH-6W-01
	900		SSCH-6W-02	MSCH-6W-02

Ceiling-mounted



FRONT VIEW

SIDE VIEW

Length	Depth	Height	Stainless Steel 304	Electro-Galvanized Steel with Epoxy Powder Coating
1200	750	550	SSCH-4C-01	MSCH-4C-01
	900		SSCH-4C-02	MSCH-4C-02
1500	750	550	SSCH-5C-01	MSCH-5C-01
	900		SSCH-5C-02	MSCH-5C-02
1800	750	550	SSCH-6C-01	MSCH-6C-01
	900		SSCH-6C-02	MSCH-6C-02



Website:



Contact details:



Copyright © 2020 Machlab Scientific Sdn. Bhd. All Rights Reserved.
Machlab Scientific Sdn. Bhd. has made every reasonable effort to present the contents of this catalogue accurately, but reserves the right to make changes to the information, product specifications and product range in this catalogue without prior notice.