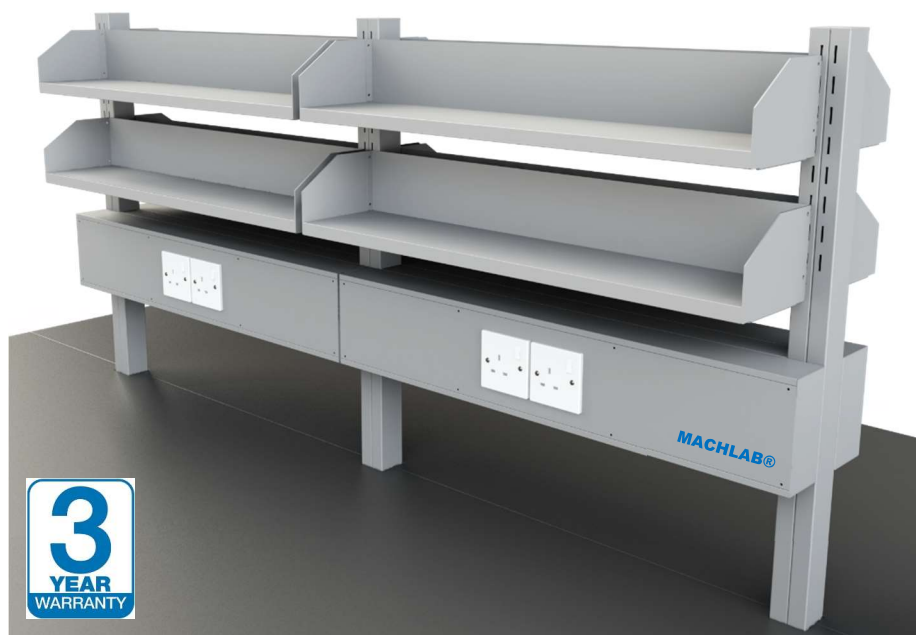


ADJUSTABLE REAGENT RACK

Designed for maximum reagents storage space while optimizing workspace. You can adjust the shelves to fit any bottle size. Machlab has allowed optional electrical trunking to be placed away from your work surface – providing greater accessibility and safety for your laboratory work.

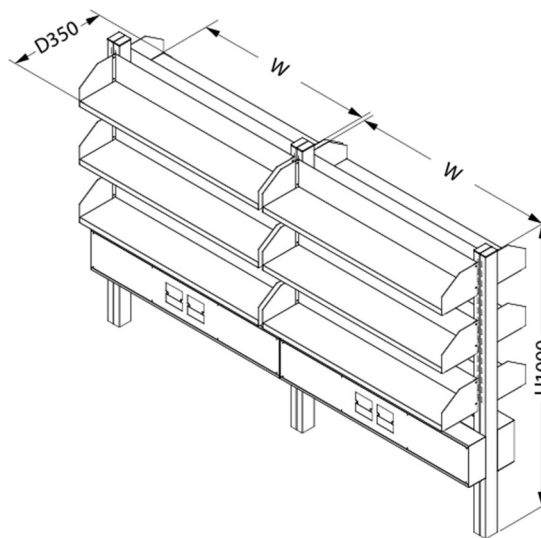
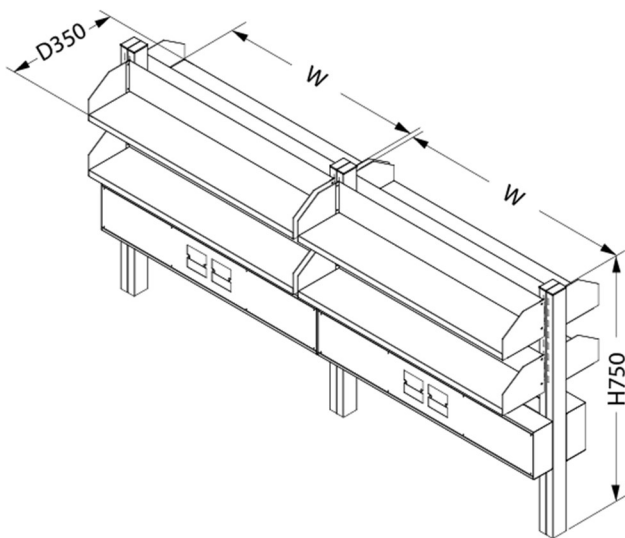


FEATURES

- Durable **lab-grade construction**
- **100 microns** powder coating finish
- **Corrosion resistance** certified
- **Safety** guardrail available
- Best industry **3 years warranty**

SPECIFICATIONS

- **Certified quality** (ISO2178, ISO2813, ISO2409, ASTM 117, ASTM D3363)
- Manufactured of **heavy-duty steel** (22-gauge, electro-galvanised)



		750mmW	900mmW	1050mmW	1200mmW
2-tiers	No Electrical Trunking	RA2-750	RA2-900	RA2-1050	RA2-1200
	With Electrical Trunking	RA2-750-ET	RA2-900-ET	RA2-1050-ET	RA2-1200-ET
3-tiers	No Electrical Trunking	RA3-750	RA3-900	RA3-1050	RA3-1200
	With Electrical Trunking	RA3-750-ET	RA3-900-ET	RA3-1050-ET	RA3-1200-ET