

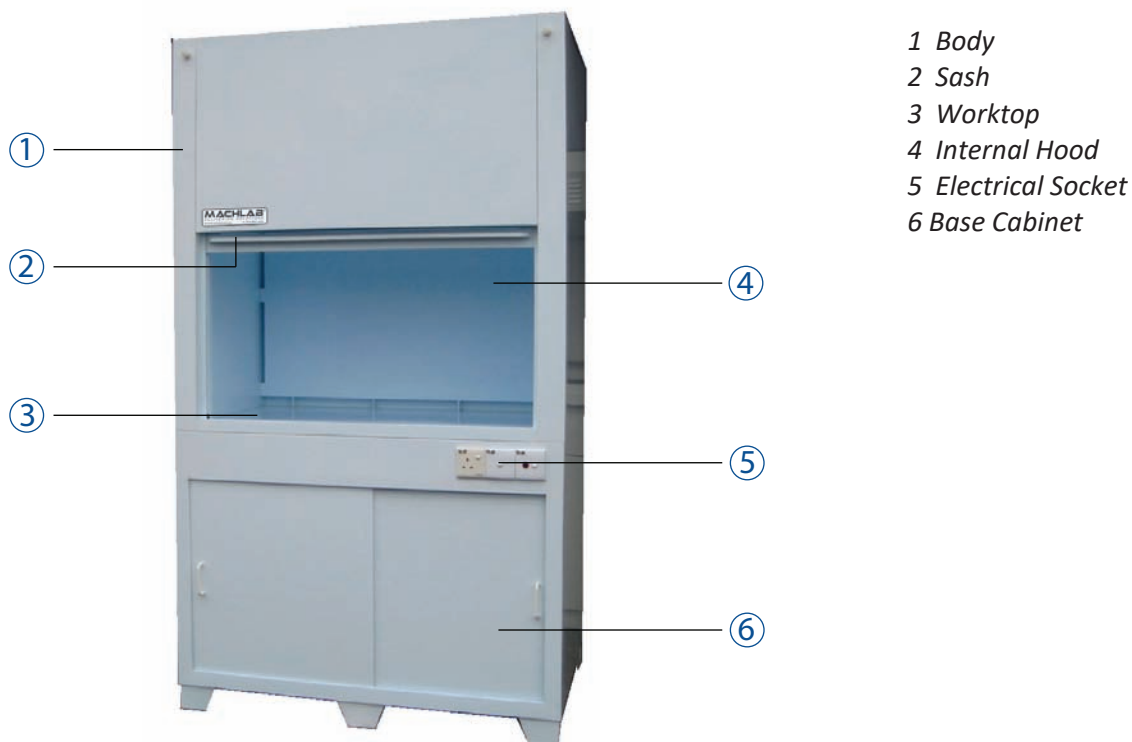


Polypropylene Fume Hood

Product Brochure

Polypropylene Fume Hood

PP fume hood provides the highest level of protection and containment against highly corrosive chemical. It has excellent rating against corrosion and chemical staining, making it highly suitable for applications involving heavy chemical.



- 1 Body
- 2 Sash
- 3 Worktop
- 4 Internal Hood
- 5 Electrical Socket
- 6 Base Cabinet

Features

- Sturdy and rigid body fully made of Polypropylene
- Excellent resistance to corrosive chemicals and chemical staining
- Sash made of tempered glass to prevent etching
- High chemical and heat resistance Epoxy resin worktop
- Customisable components such as service fixtures, water faucets and drip cup
- Customisable base cabinet; can be mounted on bench, base leg or safety cabinet

Customisation



Drip cup, water faucet type and location



Gas outlet/valve type and location



External hood colour variations



Sink and additional water faucet



Base support frame with castors



Hazard symbol stickers



Digital airflow display/airflow regulator



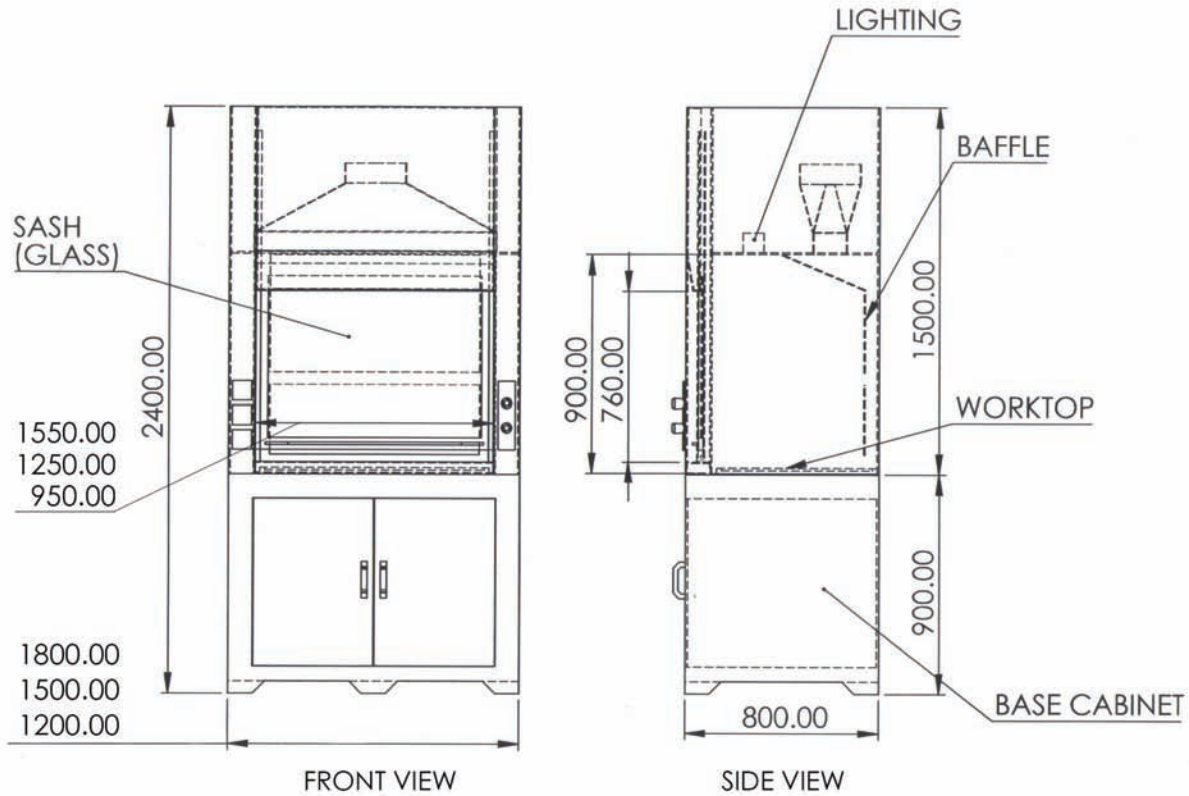
Emergency stop button



Water faucet type and location



Corrosive chemical safety cabinet



Model	PPFH-4	PPFH-5	PPFH-6
External Dimensions (mm)	1200(L) x 800(W) x 2400(H)	1500(L) x 800(W) x 2400(H)	1800(L) x 800(W) x 2400(H)
Internal Dimensions (mm)	950(L) x 630(W) x 1150(H)	1250(L) x 630(W) x 1150(H)	1550(L) x 630(W) x 1150(H)
Inner Hood	Polypropylene		
Material	5-10mm(Thk) Polypropylene sheet		
Worktop	18mm(Thk) Epoxy resin top		
Sash	5mm(Thk) Clear tempered glass/Polycarbonate/Acrylic		
Full Sash Opening (mm)	700(H)		
Standard Features	<ul style="list-style-type: none"> - 1 Unit of 10 Watts Light. - 1 Unit of light Switch - 2 Units of electrical socket plug. - 1 Unit of gas and water outlet & remote control. - 1 Unit of drip cup. - 1 Unit of PP sink 		
Base Cabinet (Bottom)	5-10mm(Thk) Polypropylene sheet		
Power consumption	10W (Lighting)		
Volumetric Flow Rate	4ft: 800 - 1000 cfm 5ft: 1000 - 1200 cfm 6ft: 1200 - 1500 cfm		
Face Velocity	0.5 m/s at 400(H)		



Website:



Contact details:



Copyright © 2020 Machlab Scientific Sdn. Bhd. All Rights Reserved.
Machlab Scientific Sdn. Bhd. has made every reasonable effort to present the contents of this catalogue accurately, but reserves the right to make changes to the information, product specifications and product range in this catalogue without prior notice.