

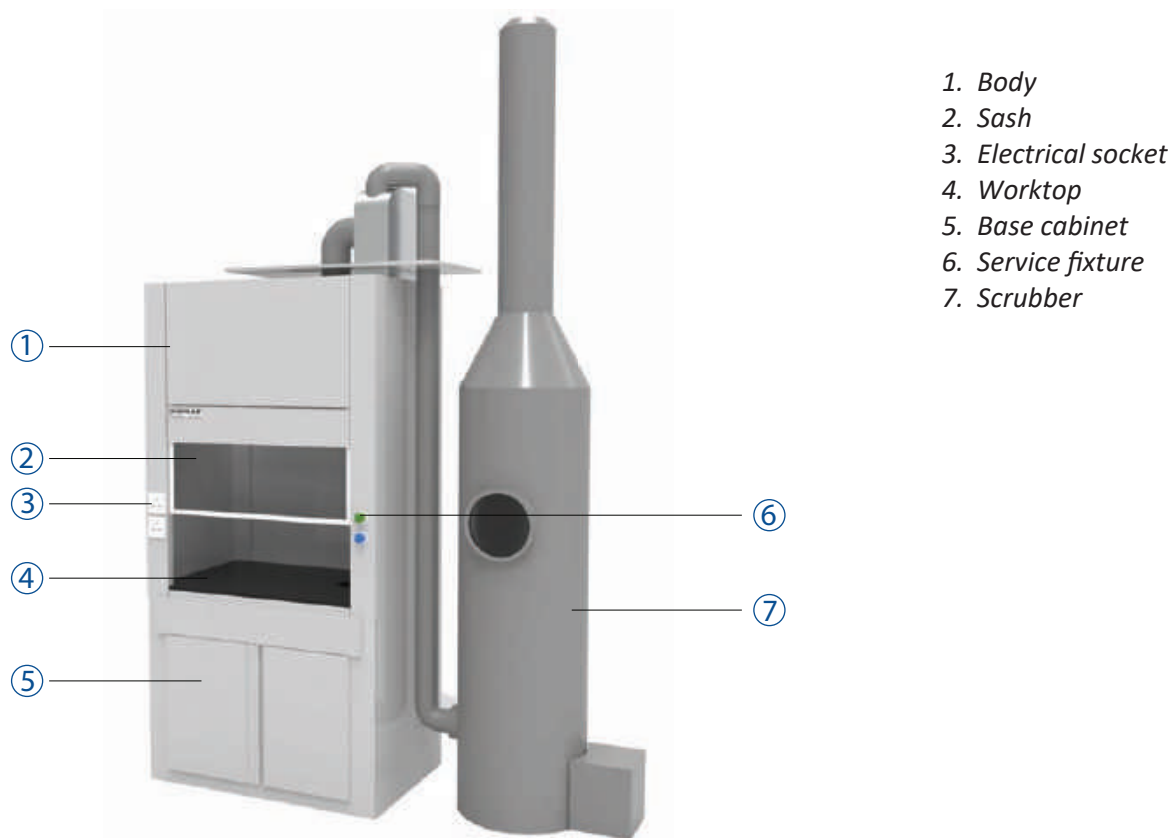


# Acid Digestion Fume Hood

Product Brochure

# Acid Digestion Fume Hood

Acid digestion fume hood is to be used with acid digestion application which involves highly concentrated acids. The fume hood comes with external scrubber system that controls the gaseous emissions, especially acidic gases.

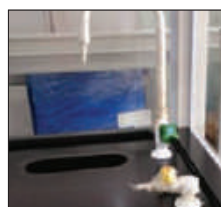


1. Body
2. Sash
3. Electrical socket
4. Worktop
5. Base cabinet
6. Service fixture
7. Scrubber

## Features

- Industrial-grade construction to withstand harsh environment
- Epoxy resin worktop with high chemical and heat resistance
- High corrosion resistance
- Extraction fan is placed on the external building wall or anywhere convenient.  
Other motor sizes are available depending on requirement.
- Customisable components such as service fixtures, water faucets, and drip cup.
- Customisable base cabinet; can be mounted on bench, base leg or safety cabinet.

## Customisation



Drip cup, water faucet type and location



Gas outlet/valve type and location



External hood colour variations



Sink and additional water faucet



Base support frame with castors



Hazard symbol stickers



Digital airflow display/airflow regulator



Emergency stop button

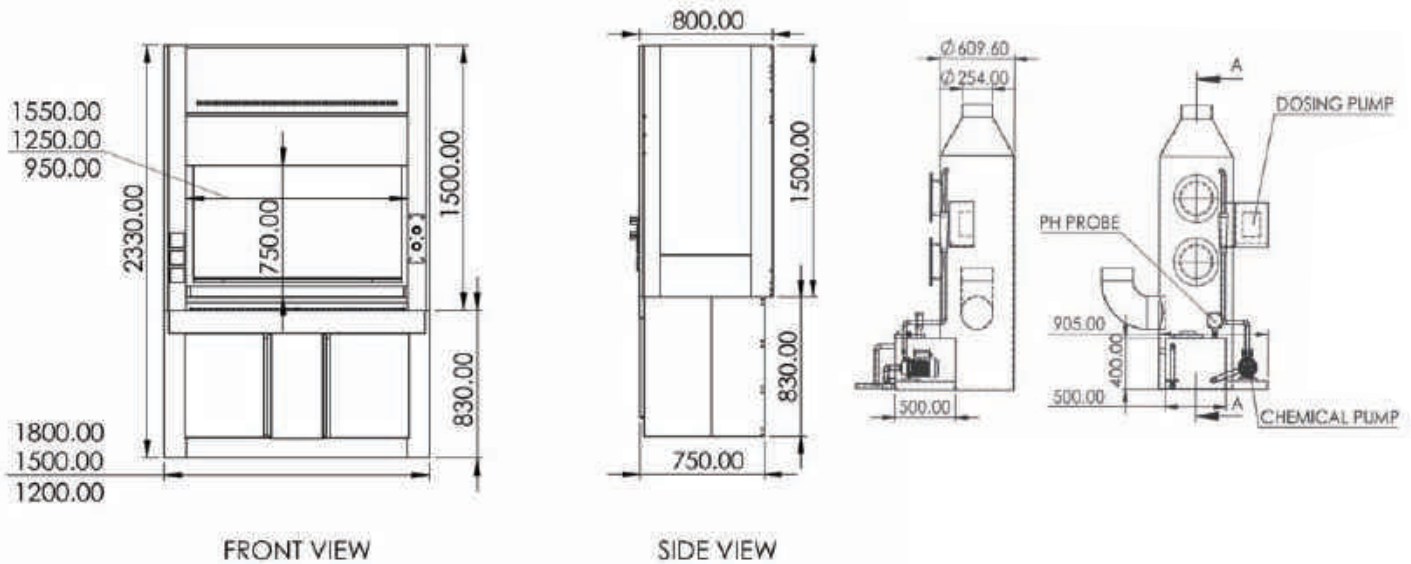


Water faucet type and location



Flammable/corrosive chemical safety cabinet

## Product Detail



MILD STEEL	PAFH-4-MS	PAFH-5-MS	PAFH-6-MS
POLYPROPYLENE	PAFH-4-PP	PAFH-5-PP	PAFH-6-PP
External Dimensions (mm)	1200(L) x 800(W) x 2330(H)	1500(L) x 800(W) x 2330(H)	1800(L) x 800(W) x 2330(H)
Internal Dimensions (mm)	950(L) x 630(W) x 1150(H)	1250(L) x 630(W) x 1150(H)	1550(L) x 630(W) x 1150(H)
Material	1mm(Thk) Electro-galvanized steel sheet with epoxy powder coating finish / 5-10mm(Thk) Polypropylene sheet		
Worktop	Worktop 19mm(Thk) Epoxy resin top.		
Sash	5mm(Thk) Clear Polycarbonate/Acrylic		
Full sash Opening (mm)	700 (H)		
Standard Features	<ul style="list-style-type: none"> <li>- 1 Unit of 10 Watts Light</li> <li>- 2 Units of 13 Amp electrical socket</li> <li>- 1 Unit of light and fan dual switch</li> <li>- 1 Unit of gas and water outlet &amp; remote control</li> <li>- 1 Unit of drip cup</li> </ul>		
Base cabinet	1mm(Thk) Electro-galvanized steel sheet, epoxy powder coating finish / 5-10mm(Thk) Polypropylene sheet		
Power consumption	10W (Lighting)		
Volumetric Flow Rate	4ft: 800 - 1000 cfm 5ft: 1000 - 1200 cfm 6ft: 1200 - 1500 cfm		
Face Velocity	0.5 m/s at 400(H)		



Website:



Contact details:



Copyright © 2020 Machlab Scientific Sdn. Bhd. All Rights Reserved.  
Machlab Scientific Sdn. Bhd. has made every reasonable effort to present the contents of this catalogue accurately, but reserves the right to make changes to the information, product specifications and product range in this catalogue without prior notice.